

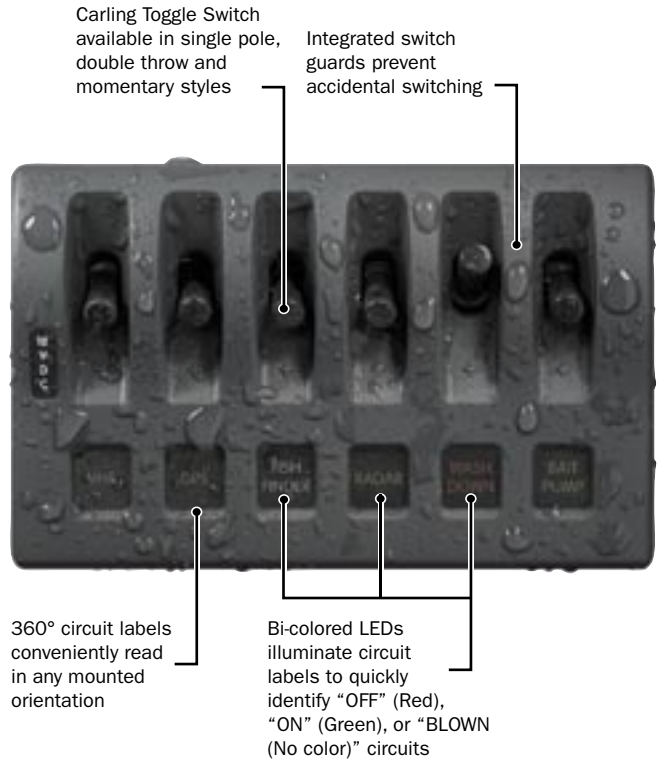
## WeatherDeck™ Water Resistant Fuse Panels

Water resistant panel front withstands rain, sea spray, and hose spray washdown

- Designed for flybridge and open cockpit applications
- Constructed from corrosion resistant materials
- Independent label backlighting circuit for remote switching and dimming
- Compatible with all Blue Sea Systems Digital Dimmers (see page 104)
- UV stabilized and weather resistant faceplate
- Rated IP67 - "Temporary Immersion"
- Rugged UV stabilized waterproof boots
- Each panel can be mounted in four different orientations (see page 51)
- Available in 2, 4, 6, and 8 circuit models
- Includes 4215 - 30 label set (see page 89)
- Integrated ATO/ATC fuse based circuit protection

### Specifications

Panel Material	Reinforced Polycarbonate
Cover Material	Weather Resistant Thermoplastic
Maximum Voltage	12 Volts DC
Maximum Amperage Per Circuit	15 Amperes
Switch Type	OFF/ON Toggle with waterproof boot (see page 54)
Switch Rating	15 Amperes maximum
Backlighting Voltage	12 Volts DC Nominal
Backlighting Amperage Draw	10mA/Illuminated Circuit
Fuse Type	ATO/ATC Automotive Blade-Type
Fuse Available	1-40 Amperes



### Carling Technologies®

Rugged UV stabilized waterproof boots protect Carling Toggle Switches (see page 54)



ATO/ATC Blade Fuse on each circuit simplifies identification of Amperage (see page 59)



UV stabilized weather resistant faceplate snaps easily on and off, providing access to components, and concealing mounting screws



Fuses are easily accessed from the front of the panel

Labels can be rotated 360°

30 Common DC backlightable labels included for circuit identification (see page 89)

Fuses fully sealed with silicone rubber cover for water resistance

2 Position - Gray



4302

4 Position - Gray



4304

6 Position - Gray



4306

8 Position - Gray



4308

8 Position - White



4318

6 Position - White



4316

4 Position - White



4314

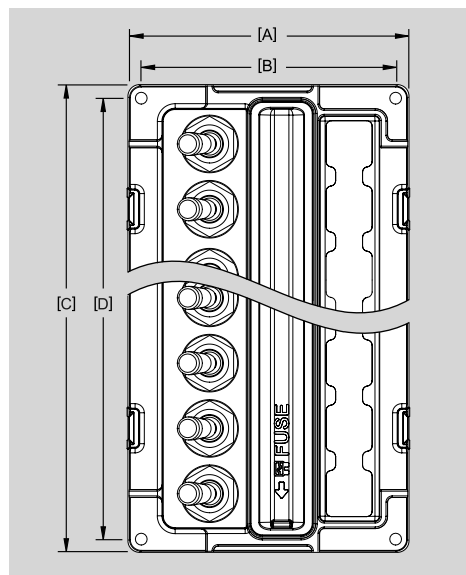
2 Position - White



4312

PN	Description	Weight Lb (Kg)
4302	2 Position - Gray	0.67 (0.30)
4304	4 Position - Gray	0.90 (0.41)
4306	6 Position - Gray	1.13 (0.51)
4308	8 Position - Gray	1.37 (0.62)
4312	2 Position - White	0.67 (0.30)
4314	4 Position - White	0.90 (0.41)
4316	6 Position - White	1.13 (0.51)
4318	8 Position - White	1.37 (0.62)

► For high volume applications Contact Blue Sea Systems about custom configurations. Call 1-800-222-7617 for information.



Description	[A] Width in" (mm)	[B] Mounting Centers in" (mm)	[C] Height in" (mm)	[D] Mounting Centers in" (mm)
2 Position	3.88 (98.40)	3.31 (84.14)	2.60 (66.00)	2.04 (51.75)
4 Position	3.88 (98.40)	3.31 (84.14)	4.30 (109.20)	3.74 (94.93)
6 Position	3.88 (98.40)	3.31 (84.14)	6.00 (152.40)	5.44 (138.11)
8 Position	3.88 (98.40)	3.31 (84.14)	7.70 (195.60)	7.14 (181.29)

Four Mounting Orientations



Each panel can be mounted in 4 orientations to expand location possibilities - Circuit labels can be rotated accordingly.